

PROPAR PARTS & "F & J" SUSPENSION

PRODUCT SPECIFICATIONS



MADE FOR AFRICAN
ROADS AND BUDGETS



RELIABLE QUALITY
YOU CAN TRUST



COMPARED TO THE
HIGHEST STANDARDS



ROAD DIAMOND™

QUALITY PRICED RIGHT

INDEX

Road Diamond Propar Hub & Drum Assembly _____	1
Road Diamond Propar Brake Assembly _____	8
Road Diamond “F” Suspension _____	19
Road Diamond “J” Suspension _____	26
Introducing the Road Diamond TD403 Brake Drum _____	32

Road Diamond

PROPAR HUB & DRUM ASSEMBLY



Road Diamond

PROPAR HUB & DRUM

NO	PART NUMBER	DESCRIPTION	TORQUE SETTING (NM)
Kit	RD-HUH002	RD Propar Hub Assembly With RD Wheel Bearings	
1	RD-HCH001-RD	RD Hub Cap Plastic	
2	RD-GK001	RD Propar Hub Cap Gasket	
3	RD-BT002-12	RD Hub Cap Bolt M6 x 12 + Spring Washer M6	10 Nm
4	RD-ANH001	RD Propar Axle Nut 11000 & 15000	Torque To 500 Nm, Loosen Castle Nut Only, Then Re-Torque To 150 Nm Less ¼ Castle
5	RD-WAH001	RD Propar Axle Washer	
6	RD-SLH001	RD Split Pin M8 x 140	
7	RD-WBH001	RD Wheel Bearing 518445	
8	RD-OS001	RD Propar Oil Seal - Rubber	
	RD-OS004	RD Propar Oil Seal To Fit Import Axle	
	RD-OS018	RD Propar Oil Seal - Green	
9	RD-OC001	RD Propar Oil Seal Collar	
10	RD-HUH001	RD Propar Outboard Hub	
11	RD-BDH004	RD Propar Brake Drum Outboard	
12	RD-STH007	RD Propar Wheel Stud	
13	RD-WAH012	RD Wheel Stud Washer Inner	
14	RD-WAH010	RD Wheel Stud Washer Outer - Split	
15	RD-SN007-F	RD Wheel Nut M22 x 1.5 No Collar	550-600 Nm
16	RD-SN007-H	RD Wheel Nut M22 x 1.5 With Collar	650 Nm

PROPAR HUB & DRUM

Kit: Timken Bearings

RD-HUH002



Description & Key Features

- Also Available With Timken Bearings

1. Hub Cap

RD-HCH001-RD



Description & Key Features

- Hub Cap
- Plastic

2. Hub Cap Gasket

RD-GK001



Description & Key Features

- Hub Cap Gasket
- 8 Hole

3. Hub Cap Bolts & Spring Washer

RD-BT002-12



Description & Key Features

- Bolt
- M6 x 12
- 10 Nm

PROPAR HUB & DRUM

4. Axle Nut

RD-ANH001



Description & Key Features

- Axle Nut 11000 & 15000
- Torque To 500 Nm, Loosen Castle Nut Only, Then Re-Torque To 150 Nm Less ¼ Castle.

5. Axle Washer

RD-WAH001



Description & Key Features

- Axle Washer

6. Split Pin

RD-SLH001



Description & Key Features

- Split Pin
- M8 x 140

7. Wheel Bearing

RD-WBH001



Description & Key Features

- Wheel Bearing
- 518445

PROPAR HUB & DRUM

8. Oil Seal

RD-OS001



Description & Key Features

- Propar Oil Seal
- Rubber

8. Oil Seal

RD-OS004

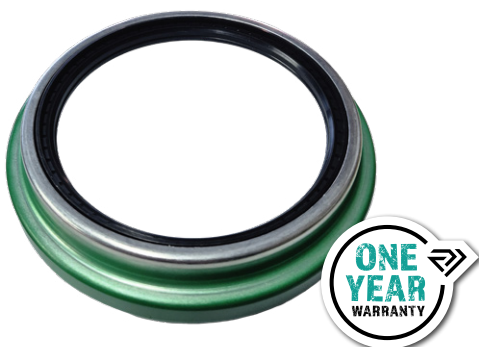


Description & Key Features

- Propar Oil Seal To Fit Import Axle

8. Oil Seal

RD-OS018



Description & Key Features

- Propar Oil Seal
- Green

9. Oil Seal Collar

RD-OC001



Description & Key Features

- Propar Oil Seal Collar
- Steel

PROPAR HUB & DRUM

10. Hub

RD-HUH001



Description & Key Features

- Propar Outboard Hub

11. Brake Drum

RD-BDH004



Description & Key Features

- Brake Drum
- TD403

12. Wheel Stud

RD-STH007



Description & Key Features

- Wheel Stud Assembly
- Press-In
- Nut & Washers Included

13. Wheel Stud Washer

RD-WAH012



Description & Key Features

- Wheel Stud Washer
- Inner
- Split Type

PROPAR HUB & DRUM

14. Wheel Stud Washer

RD-WAH010



Description & Key Features

- Wheel Stud Washer
- Outer
- Split Type

15. Wheel Nut

RD-SN007-F



Description & Key Features

- Wheel Nut
- M22 x 1,5
- No Collar

16. Wheel Nut

RD-SN007-H

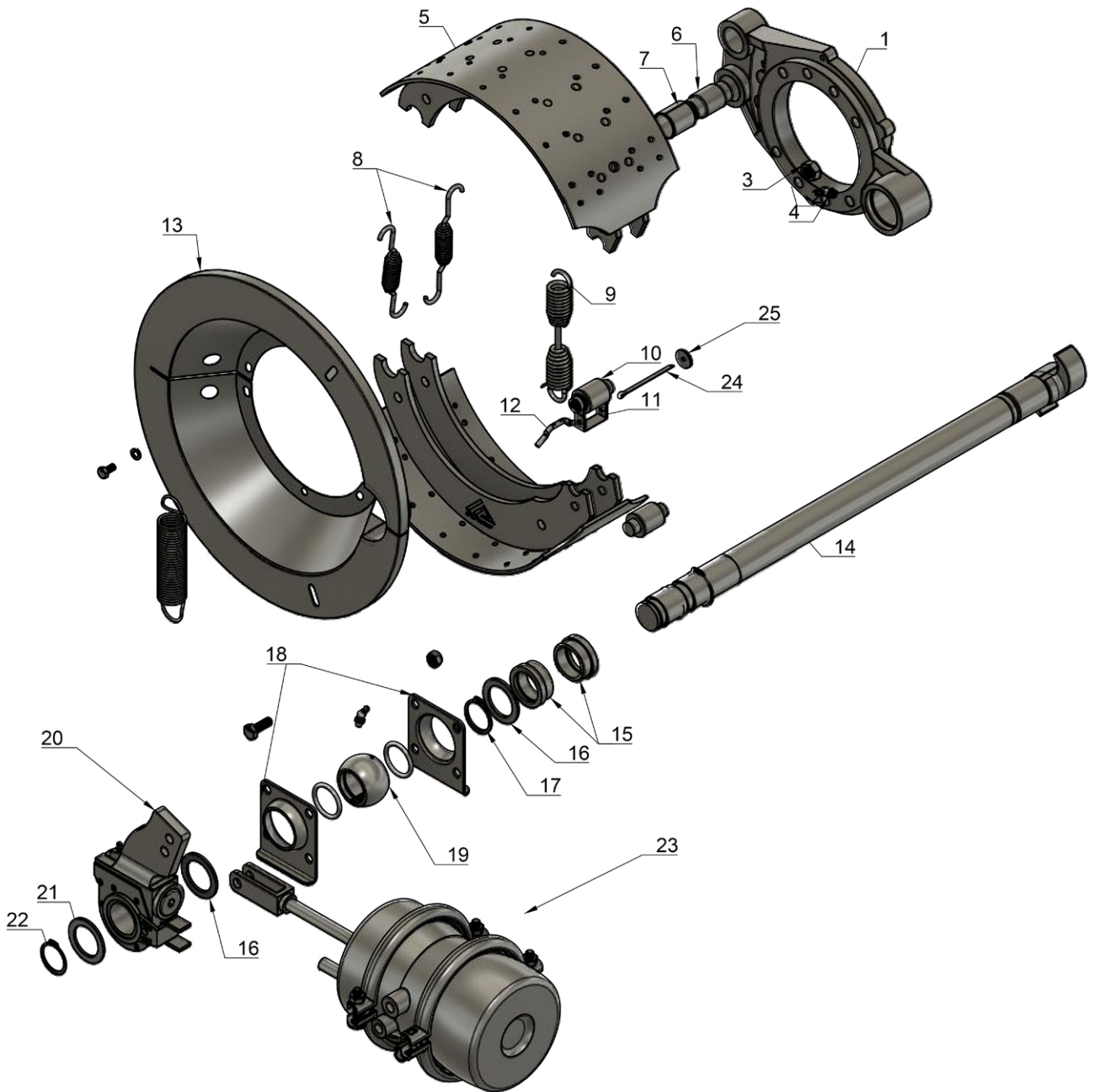


Description & Key Features

- Wheel Nut
- M22 x 1,5
- With Collar

Road Diamond

PROPAR BRAKE ASSEMBLY



PROPAR BRAKE

NO	PART NUMBER	DESCRIPTION	TORQUE SETTING (NM)
Kit	RD-BS510	RD Brake Shoe Repair Kit	
1	RD-TPH001	RD Propar Torque Plate Sintered Bush	
	RD-TPH005	RD Propar Torque Plate Brass Bush	
2	RD-BT006-55	RD Torque Plate Bolt M14 x 55	
3	RD-NN001-14	RD Nylock Nut M14	130 Nm
4	RD-GN003	RD Grease Nipple 45 Degree	
5	RD-BSH001	RD Propar Brake Shoe Unlined 420 X 180	
6	RD-APH002	RD Propar Anchor Pin For Q/fit Brake Shoe	
7	RD-BUH004	RD Anchor Pin Bush	
8	RD-RSH001	RD Return Spring Short 420 x 180	
9	RD-RSH001-B	RD Return Spring Long 420 x 180	
10	RD-BRH002	RD Propar Brake Shoe Roller 16.5 X 7 (Old Type)	
11	RD-RP003	RD Roller Retainer Split Pin Type	
12	RD-SP001	RD Brake Spring Pin	
13	RD-DCH001	RD Propar Dust Cover For Brake Drum	
14	RD-CSH001-LH	RD Propar S-Cam 37 Spline LH 650 mm	
	RD-CSH001-RH	RD Propar S-Cam 37 Spline RH 650 mm	
	RD-CSH002-LH	RD Propar S-Cam 37 Spline LH 728 mm	
	RD-CSH002-RH	RD Propar S-Cam 37 Spline RH 728 mm	
15	RD-CSH007	RD Propar S-Cam Bush Inner Sintered	
16	RD-WAH006	RD S-Cam Washer Inner 41.6mm	
17	RD-CCH001-41	RD Propar S-Cam Circlip 41mm	
18	RD-CSH011	RD S-Cam Bracket Assy For LZ/Slack Adj.	50 Nm
	RD-CSH010	RD Propar S-Cam Bracket Assy – New Type	50 Nm
19	RD-CSH007-B	RD Propar S-Cam Bush Outer – Plastic	
20	RD-SA001-M	RD Slack Adjuster 37 Spline Manual	
	RD-SA001-A	RD Slack Adjuster 37 Spline Automatic	
	RD-SA006	RD Automatic Slack Adjuster Mounting Bracket LH/RH	
21	RD-WAH007	RD S-Cam Washer Outer 38 mm	
22	RD-CCH001-38	RD S-Cam Circlip 38 mm	
23	RD-B0001	RD Brake Booster 24/30 64 mm Stoke Horizontal	
	RD-B0001-V	RD Brake Booster 24/30 64 mm Stoke Vertical	
24	RD-SLH006	RD Split Pin - M5 x 100	
25	RD-WAH013	RD Split Pin Washer	

PROPAR BRAKE

Kit: Brake Shoe Repair Kit

RD-BS510



Available in kit

- 1 x RD-RSH001-B
- 2 x RD-APH002
- 2 x RD-BRH002
- 2 x RD-BUH004
- 2 x RD-RSH001
- 2 x RD-RP003
- 2 x RD-SP001
- 2 x RD-SLH006
- 4 x RDWAH013

1. Torque Plate

RD-TPH001



Description & Key Features

- Torque Plate Propar
- 420 x 180

1. Torque Plate

RD-TPH005



Description & Key Features

- Torque Plate Propar (Brass Bush)

2. Torque Plate Bolt

RD-BT006-55



Description & Key Features

- Bolt
- M14 x 55

Road Diamond

PROPAR BRAKE

3. Nylock Nut

RD-NN001-14



Description & Key Features

- Nylock Nut
- M14

4. Grease Nipple

RD-GN003



Description & Key Features

- Grease Nipple
- 45 Degrees

5. Brake Shoe

RD-BSH001

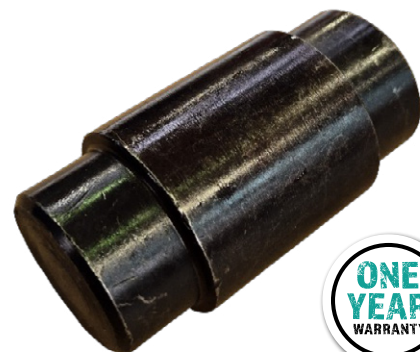


Description & Key Features

- Brake Shoe
- Unlined

6. Anchor Pin

RD-APH002



Description & Key Features

- Anchor Pin For Q/fit Brake Shoe

PROPAR BRAKE

7. Anchor Pin Bush

RD-BUH004



Description & Key Features

- Anchor Pin Bush

8. Return Spring

RD-RSH001



Description & Key Features

- Return Spring
- Short
- 420 x 180

9. Return Spring

RD-RSH001-B



Description & Key Features

- Return Spring
- Long
- 420 x 180

10. Brake Shoe Roller

RD-BRH002



Description & Key Features

- Brake Shoe Roller
- 16,5 x 7
- Old Type

PROPAR BRAKE

11. Roller Retainer

RD-RP003



Description & Key Features

- Roller Retainer
- Split Pin Type

12. Brake Spring Pin

RD-SP001



Description & Key Features

- Brake Spring Pin

13. Dust Cover

RD-DCH001



Description & Key Features

- Dust Cover
- One Piece

14. S-Cam

RD-CSH001-LH



Description & Key Features

- S-Cam
- 37 Spline
- 650 mm
- Left Hand

PROPAR BRAKE

14. S-Cam

RD-CSH001-RH



Description & Key Features

- S-Cam
- 37 Spline
- 650 mm
- Right Hand

14. S-Cam

RD-CSH002-LH



Description & Key Features

- S-Cam
- 37 Spline
- 728 mm
- Left Hand

14. S-Cam

RD-CSH002-RH



Description & Key Features

- S-Cam
- 37 Spline
- 728 mm
- Right Hand

15. S-Cam Bush

RD-CSH007



Description & Key Features

- Propar S-Cam Bush
- Inner
- Sintered

PROPAR BRAKE

16. S-Cam Washer

RD-WAH006



Description & Key Features

- S-Cam Washer
- Inner
- 41,6 mm

17. S-Cam Circlip

RD-CCH001-41



Description & Key Features

- S-Cam Circlip
- 41 mm

18. S-Cam Bracket

RD-CSH011

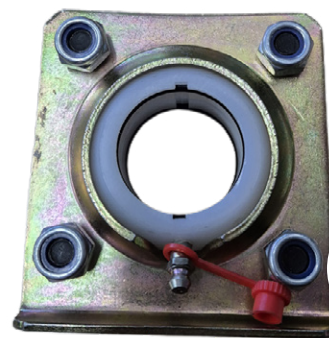


Description & Key Features

- S-Cam Bracket Assembly For LZ Automatic Slack Adjuster

18. S-Cam Bracket

RD-CSH010



Description & Key Features

- S-Cam Bracket Assembly
- New Type

PROPAR BRAKE

19. S-Cam Bush

RD-CSH007-B



Description & Key Features

- Propar S-Cam Bush
- Outer
- Plastic

20. Slack Adjuster

RD-SA001-M



Description & Key Features

- Slack Adjuster 37 Spline
- Manual

20. Slack Adjuster

RD-SA001-A



Description & Key Features

- Slack Adjuster 37 Spline
- Automatic

20. Slack Adjuster

RD-SA006



Description & Key Features

- Automatic Slack Adjuster Mounting Bracket LH/RH

PROPAR BRAKE

21. S-Cam Washer

RD-WAH007



Description & Key Features

- S-Cam Washer
- Outer
- 38 mm

22. S-Cam Circlip

RD-CCH001-38



Description & Key Features

- S-Cam Circlip
- 38 mm

23. Brake Booster

RD-B0001



Description & Key Features

- Brake Booster 24/30
- Horizontal
- 64 mm Stroke

23. Brake Booster

RD-B0001-V



Description & Key Features

- Brake Booster 24/30
- Vertical
- 64 mm Stroke

Road Diamond

PROPAR BRAKE

24. Split Pin

RD-SLH006

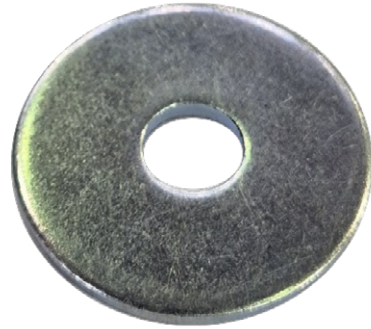


Description & Key Features

- Split Pin
- M5 x 100

25. Washer

RD-WAH013

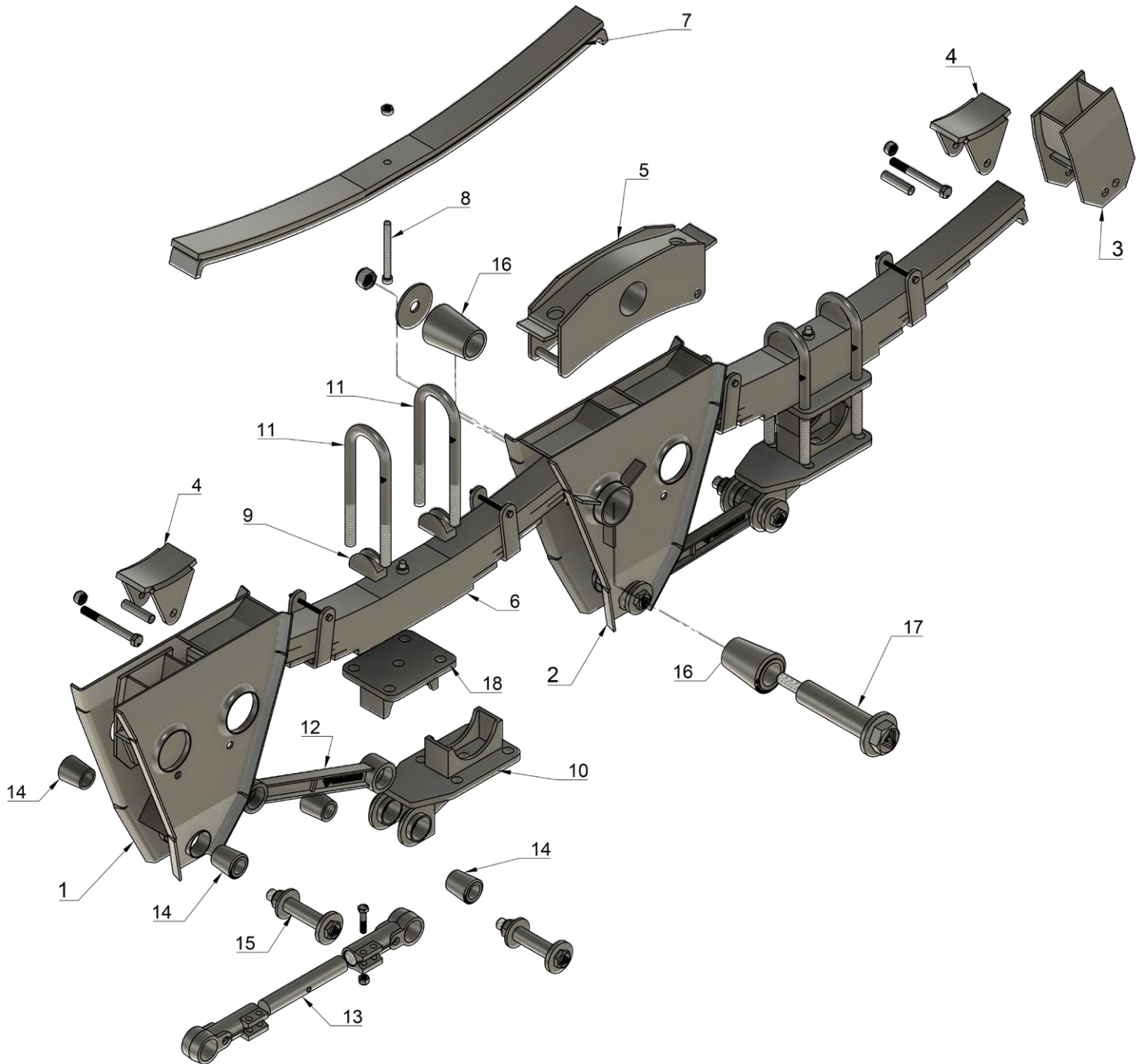


Description & Key Features

- Roller Retainer Washer For Split Pin

Road Diamond

"F" SUSPENSION ASSEMBLY



Road Diamond

"F" SUSPENSION

NO	PART NUMBER	DESCRIPTION	TORQUE SETTING (NM)
1	RD-HBH001	RD Hanger Bracket F Susp Front Tapered	
	RD-HBH004	RD Hanger Bracket F Susp Front Straight	
2	RD-HBH003	RD Hanger Bracket F Susp Rocker	
3	RD-HBH002	RD Hanger Bracket F Susp Rear	
4	RD-WPH001	RD Wear Plate For F&J Susp	
5	RD-RKH001	RD Rocker F&J Susp	
6	RD-SSH001	RD Springpack 8-Blade	
7	RD-SSH013 + RD-SSH013-B	RD Springpack Main Blade Set (Straight + Bend)	
8	RD-BT023-145	RD Springpack Centre Bolt M16 x 165 (Incl Nut)	61 Nm
9	RD-SBH001	RD Strong Back	
10	RD-ASH002	RD F Susp Axle Seat O/S 127Rd	
11	RD-UBH001	RD U-Bolt for 8-Blade (Thread Pitch 1.5 mm)	550 Nm
	RD-UBH002	RD U-Bolt for 9-Blade (Thread Pitch 1.5 mm)	550 Nm
	RD-UBH003	RD U-Bolt for 10-Blade (Thread Pitch 1.5 mm)	550 Nm
12	RD-RRH002	RD Radius Rod Fixed	
13	RD-RRH001	RD Radius Rod Adj	84 Nm (Bolts)
14	RD-BUH002-B	RD Radius Rod Bush Polyurethane	
15	RD-PNH001	RD Radius Rod Pin, Nut & Washer F&J Susp	210 Nm
16	RD-BUH001-B	RD Rocker Bush Polyurethane	
17	RD-PNH002	RD Rocker Pin, Nut & Washer F&J Susp	550 Nm
18	RD-CPH004	RD Clamp Plate (127 Rnd)	

Road Diamond

"F" SUSPENSION

1. Hanger Bracket Front

RD-HBH001



Description & Key Features

- Tapered
- 6 mm Side Plates
- 10 mm "ROQTUF" Wear Plate
- Seamless Bushes

1. Hanger Bracket Front

RD-HBH004



Description & Key Features

- Straight
- 6 mm Side Plates
- 10 mm "ROQTUF" Wear Plate
- Seamless Bushes

2. Hanger Bracket Rocker

RD-HBH003



Description & Key Features

- 6 mm Side Plates
- 10 mm "ROQTUF" Wear Plate
- Seamless Bushes
- Support Braces Around Rocket Pin

3. Hanger Bracket Rear

RD-HBH002



Description & Key Features

- 6 mm Side Plates
- 10 mm "ROQTUF" Wear Plate

Road Diamond

"F" SUSPENSION

4. Wear Plate

RD-WPH001



Description & Key Features

- 10 mm Side Plate
- 10 mm "ROQTUF" Wear Plate

5. Rocker

RD-RKH001



Description & Key Features

- 8 mm Side Plates
- Seamless Bushes
- Support Braces Around Bush
- Solid Top Support Plate

6. Springpack

RD-SSH001



Description & Key Features

- 8 Blade
- 40 mm Springblade U-Bolt Clamp
- Double Rivets
- (Also Available In 7 Blade / 9 Blade)

7. Springpack Main Blade

RD-SSH013 & RD-SSH013-B



Description & Key Features

- Loose Main Blade Straight
- Loose Second Blade Bend

Road Diamond

"F" SUSPENSION

8. Springpack Centre Bolt

RD-BT023-145



Description & Key Features

- M16 x 165 (Incl Nut)
- Torque Setting – 61 Nm

9. Strong Back

RD-SBH001



Description & Key Features

- Strong Back

10. Axle Seat

RD-ASH002



Description & Key Features

- Axle Seat O/S 127 Rd

11. U-Bolt

RD-UBH001



Description & Key Features

- U-Bolt M22 x 293 x 80
- (Also Available In 350 mm / 380 mm / 420 mm)

Road Diamond

"F" SUSPENSION

12. Radius Rod

RD-RRH002



Description & Key Features

- Radius Rod Fixed

13. Radius Rod

RD-RRH001



Description & Key Features

- Radius Rod Adjustable

14. Radius Rod Bush

RD-BUH002-B



Description & Key Features

- Radius Rod Bush
- Polyurethane

15. Radius Rod Pin

RD-PNH001



Description & Key Features

- Radius Rod Pin
- Include Nut & Washer

Road Diamond

"F" SUSPENSION

16. Rocker Bush

RD-BUH001-B

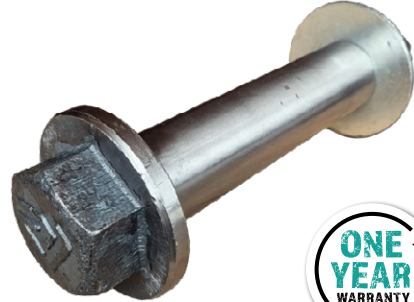


Description & Key Features

- Rocker Bush
- Polyurethane

17. Rocker Pin

RD-PNH002



Description & Key Features

- Rocker Pin
- Include Nut & Washer

18. Clamp Plate

RD-CPH004

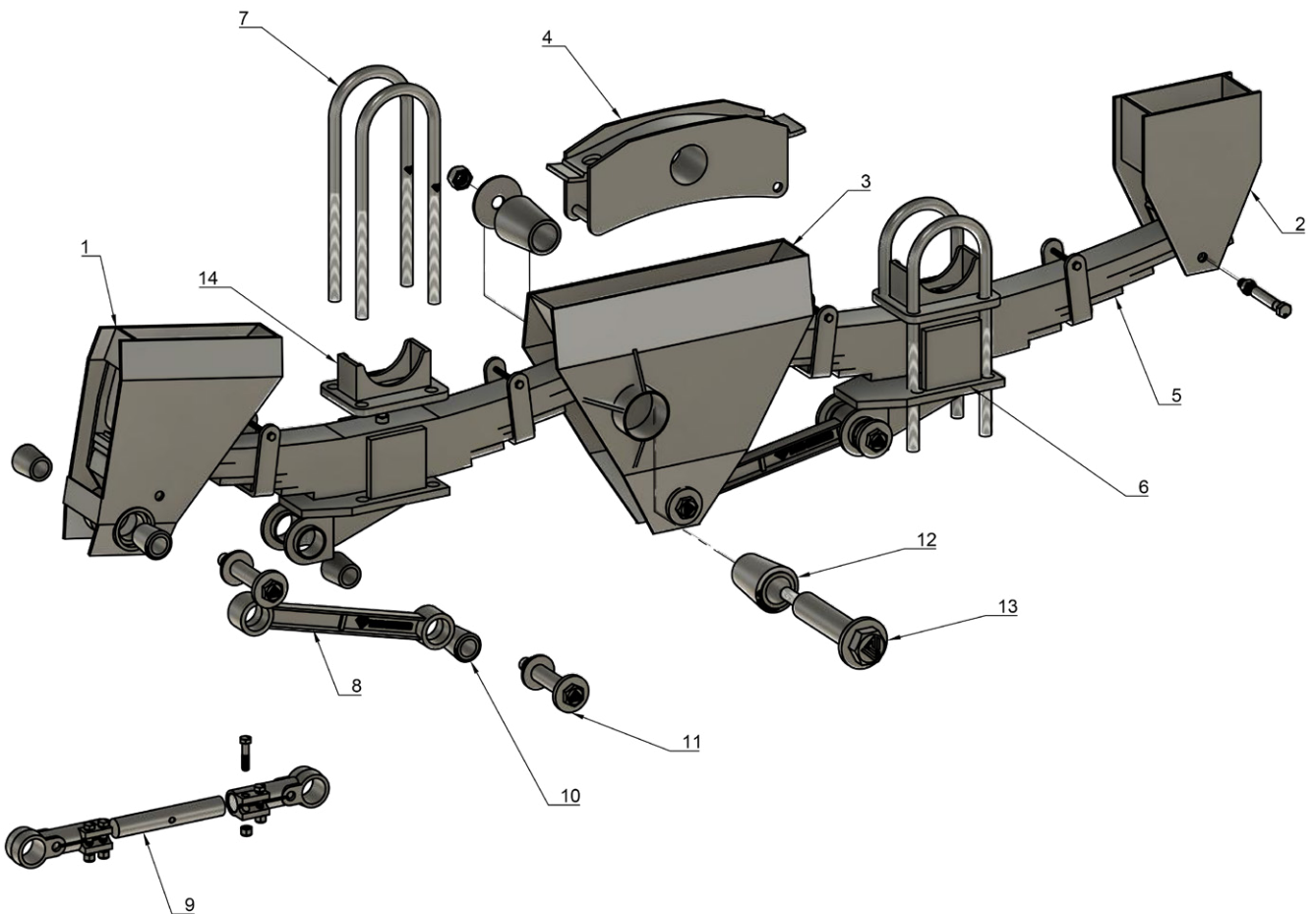


Description & Key Features

- Clamp Plate For Round Axle 127 mm

Road Diamond

"J" SUSPENSION ASSEMBLY



Road Diamond

"J" SUSPENSION

NO	PART NUMBER	DESCRIPTION	TORQUE SETTING (NM)
1	RD-HBH005-B	RD Hanger Bracket Front J Susp	
2	RD-HBH005	RD Hanger Bracket Rear J Susp	
3	RD-HBH006	RD Hanger Bracket Rocker J Susp	
4	RD-RKH001	RD Rocker F&J Susp	
5	RD-SSH001	RD Springpack 8-Blade	
6	RD-ASH004	RD J Susp Axle Seats	
7	RD-UBP001	RD U-Bolt 340 mm (Thread Pitch 1.5 mm)	550 Nm
	RD-UBP002	RD U-Bolt 380 mm (Thread Pitch 1.5 mm)	550 Nm
	RD-UBP003	RD U-Bolt 420 mm (Thread Pitch 1.5 mm)	550 Nm
8	RD-RRH002	RD Radius Rod Fixed F&J Susp	
9	RD-RRH001	RD Radius Rod Adjustable F&J Susp	84 Nm (Bolts)
10	RD-BUH002-B	RD Radius Rod Bush Polyurethane	
11	RD-PNH001	RD Radius Rod Pin, Nut & Washer F&J Susp	210 Nm
12	RD-BUH001-B	RD Rocker Bush Polyurethane	
13	RD-PNH002	RD Rocker Pin, Nut & Washer F&J Susp	550 Nm
14	RD-CPH004	RD Clamp Plate (127 Rnd)	

Road Diamond

"J" SUSPENSION

1. Hanger Bracket Front

RD-HBH005-B



Description & Key Features

- Front
- 6 mm Side Plates
- 10 mm "ROQTUF" Wear Plate
- Seamless Bushes

2. Hanger Bracket Rear

RD-HBH005



Description & Key Features

- Rear
- 6 mm Side Plates
- 10 mm "ROQTUF" Wear Plate

3. Hanger Bracket Rocker

RD-HBH006



Description & Key Features

- 6 mm Side Plates
- 10 mm "ROQTUF" Wear Plate
- Seamless Bushes
- Support Braces Around Rocker Pin

4. Rocker

RD-RKH001



Description & Key Features

- 8 mm Side Plates
- Seamless Bushes
- Support Braces Around Bush
- Solid Top Support Plate

Road Diamond

"J" SUSPENSION

5. Springpack

RD-SSH001

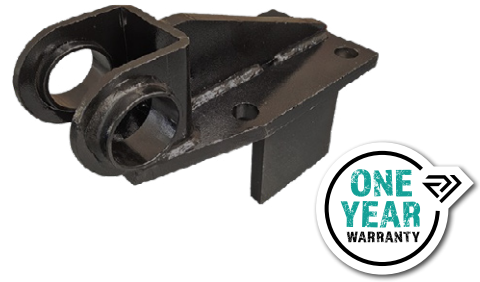


Description & Key Features

- 8 Blade
- 40 mm Springblade U-Bolt Clamp
- Double Rivets
- (Also Available In 7 Blade / 9 Blade)

6. Axle Seat

RD-ASH004



Description & Key Features

- Axle Seat

7. U-Bolt

RD-UBP001



Description & Key Features

- U-Bolt M22 x 340
- (Also Available In 380 mm / 420 mm)

8. Radius Rod

RD-RRH001



Description & Key Features

- Radius Rod Adjustable

Road Diamond

"J" SUSPENSION

9. Radius Rod

RD-RRH002



Description & Key Features

- Radius Rod Fixed

10. Radius Rod Bush

RD-BUH002-B



Description & Key Features

- Radius Rod Bush
- Polyurethane

11. Radius Rod Pin, Nut & Washer

RD-PNH001



Description & Key Features

- Radius Rod Pin
- Include Nut & Washer

12. Rocker Bush Polyurethane

RD-BUH001-B



Description & Key Features

- Rocker Bush
- Polyurethane

Road Diamond

"J" SUSPENSION

13. Rocker Pin, Nut & Washer

RD-PNH002



Description & Key Features

- Rocker Pin
- Include Nut & Washer

14. Clamp Plate

RD-CPH004

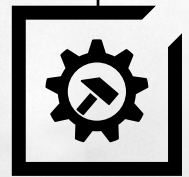


Description & Key Features

- Clamp Plate For Round Axle
- 127 mm

Introducing the Road Diamond

TD403 BRAKE DRUM



METALLURGICALLY
TESTED



COMPARED TO THE
HIGHEST STANDARDS



MADE FOR AFRICAN
ROADS AND BUDGETS



QUALITY PRICED RIGHT



ROAD DIAMOND™

WARRANTY POLICY



WARRANTY

We stand firmly behind our promise of 'Quality Priced Right' by offering a 1-year standard warranty on all our parts. Selected products qualify for an extended PLUS1 warranty (total of 2-years) subject to certain conditions.

LIABILITY INSURANCE

We are fully insured and hold comprehensive liability insurance. This coverage ensures additional protection and peace of mind for our customers and partners in the rare event of product-related incidents.

TERMS OF WARRANTY

The Terms of Warranty is available on the Claim Form which can be downloaded from <https://road-diamond.com/product/claim-form/>.

CLAIM PROCESS

To initiate a warranty claim, complete the Claim Form and return it to your local Road Diamond distributor. All claims are subject to inspection and approval.

OUR WARRANTY POLICY IS DESIGNED TO PROVIDE OUR CUSTOMERS WITH CONFIDENCE AND PEACE OF MIND TO CHOOSE ROAD DIAMOND AS THEIR PREFERRED PARTS FOR THE AFRICAN ROADS.