

WEWELER TYPE AIR SUSPENSION

PRODUCT SPECIFICATIONS



MADE FOR AFRICAN
ROADS AND BUDGETS



RELIABLE QUALITY
YOU CAN TRUST



COMPARED TO THE
HIGHEST STANDARDS

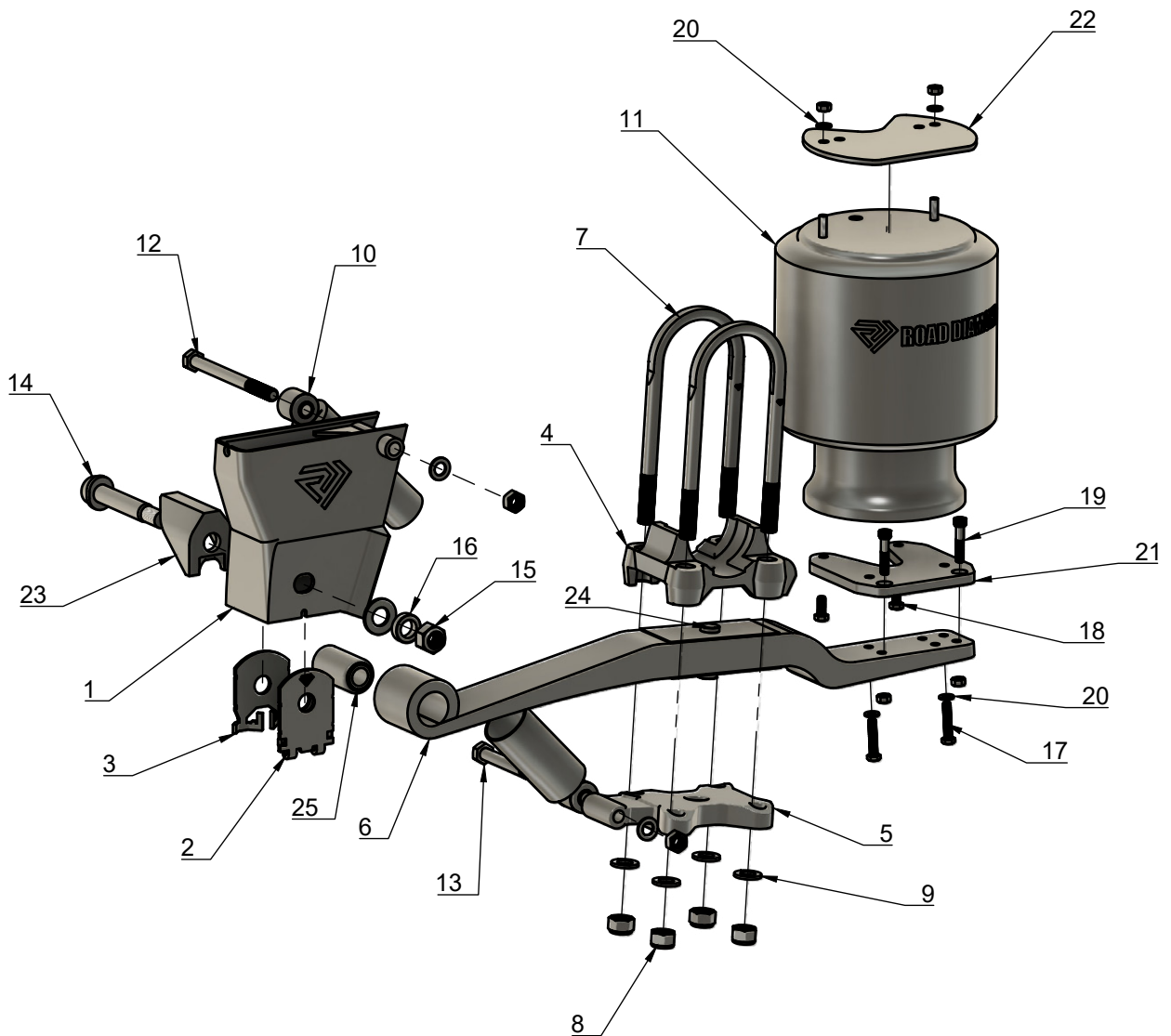


ROAD DIAMOND™

QUALITY PRICED RIGHT

Road Diamond

WEWELER TYPE AIR SUSPENSION



WEWELER TYPE AIR SUSPENSION

NO	PART NUMBER	DESCRIPTION	TORQUE SETTING (NM)
1	RD-HBW001	RD Weweler Type Hanger Bracket 10T	
2	RD-WPW001	RD Weweler Type Wear Plate Double	
3	RD-WPW002	RD Weweler Type Wear Plate Adjustable	
4	RD-ASW001	RD Weweler Type Axle Seat U/S 127 RND	
	RD-ASW101	RD Weweler Type Axle Seat U/S 127 RND New Type	
	RD-ASW002-LH	RD Weweler Type Axle Seat O/S LH	
	RD-ASW002-RH	RD Weweler Type Axle Seat O/S RH	
	RD-ASW102-LH	RD Weweler Type Axle Seat O/S LH New Type	
	RD-ASW102-RH	RD Weweler Type Axle Seat O/S RH New Type	
5	RD-CPW001-LH	RD Weweler Type Clamp plate U/S LH	
	RD-CPW001-RH	RD Weweler Type Clamp plate U/S RH	
	RD-CPW002	RD Weweler Type Clamp Plate O/S	
6	RD-SSW001	RD Weweler Type Spring Arm 10 Ton	
7	RD-UBW001	RD Weweler Type U-Bolt Air Suspension M24 x 330mm	800 Nm
	RD-UBW002	RD Weweler Type U-Bolt Air Suspension M24 x 300mm	800 Nm
8	RD-NN001-24W	RD Nylock Nut M24 x 2mm	
9	RD-WA024	RD U-Bolt washer M24	
10	RD-SAW001	RD Weweler Type Shock Absorber Susp	
11	RD-BA007	RD Weweler Type Air Spring	
12	RD-BT020-240	RD Weweler Type Shock Bolt Assy M20 x 240mm	450 Nm
13	RD-BT020-175	RD Weweler Type Shock Bolt Assy M20 x 175mm	450 Nm
14	RD-BT030-190	RD Pivot Bolt M30 x 190mm Gr.8,8	
15	RD-NN002-30	RD Cleve lock Nut M30	900 Nm
16	RD-WAW001	RD Weweler Type Pivot Bolt Spacer M30/46X14	
17	RD-BT012-60	RD Bolt M12 x 60mm Gr.8,8	66 Nm
18	RD-BT012-30	RD Bolt M12 x 30mm Gr.8,8	66 Nm
19	RD-BT012-60C	RD Hex Socket / Countersunk Head Screw M12 x 60	66 Nm
20	RD-WA012	RD Washer M12	
21	RD-BAW007-1	RD Weweler Type Air Spring Support 90 Offset	
22	RD-BAW007-2	RD Weweler Type Air Spring Support Top	
23	RD-CBW001	RD Weweler Type Cross Brasing Bolt On	
24	RD-BTC001-W	RD Weweler Type Centre Bolt Large Head	
25	RD-BUW001	RD Weweler Type Trailing Arm Bush	

WEWELER TYPE AIR SUSPENSION

1. Hanger Bracket

RD-HBW001



Description & Key Features

- Weweler Type Hanger Bracket
- 10T

2. Wear Plate

RD-WPW001



Description & Key Features

- Weweler Type Wear Plate Double

3. Wear Plate

RD-WPW002



Description & Key Features

- Weweler Type Wear Plate Adjustable

4. Axle Seat

RD-ASW001



Description & Key Features

- Weweler Type Axle Seat
- U/S 127 RND

WEWELER TYPE AIR SUSPENSION

4. Axle Seat

RD-ASW101



Description & Key Features

- Weweler Type Axle Seat U/S
- 127 RND
- New Type

4. Axle Seat

RD-ASW002-LH



Description & Key Features

- Weweler Type Axle Seat
- O/S LH

4. Axle Seat

RD-ASW002-RH



Description & Key Features

- Weweler Type Axle Seat
- O/S RH

4. Axle Seat

RD-ASW102-LH



Description & Key Features

- Weweler Type Axle Seat
- O/S LH
- New Type

WEWELER TYPE AIR SUSPENSION

4. Axle Seat

RD-ASW102-RH



Description & Key Features

- Weweler Type Axle Seat
- O/S RH
- New Type

5. Clamp Plate

RD-CPW001-LH



Description & Key Features

- Weweler Type Clamp plate
- U/S LH

5. Clamp Plate

RD-CPW001-RH



Description & Key Features

- Weweler Type Clamp plate
- U/S RH

5. Clamp Plate

RD-CPW002



Description & Key Features

- Weweler Type Clamp Plate
- O/S

WEWELER TYPE AIR SUSPENSION

6. Spring Arm

RD-SSW001



Description & Key Features

- Weweler Type Spring Arm
- 10 Ton

7. U-Bolt Air Suspension

RD-UBW001



Description & Key Features

- Weweler Type U-Bolt Air Suspension
- M24 x 330mm

7. U-Bolt Air Suspension

RD-UBW002



Description & Key Features

- Weweler Type U-Bolt Air Suspension
- M24 x 300mm

8. Nylock Nut

RD-NN001-24W



Description & Key Features

- Nylock Nut
- M24 x 2mm

WEWELER TYPE AIR SUSPENSION

9. U-Bolt Washer

RD-WA024



Description & Key Features

- U-Bolt washer
- M24

10. Shock Absorber

RD-SAW001



Description & Key Features

- Weweler Type Shock Absorber Susp

11. Air Spring

RD-BA007



Description & Key Features

- Weweler Type Air Spring

12. Shock Bolt Assy

RD-BT020-240



Description & Key Features

- Weweler Type Shock Bolt Assy
- M20 x 240mm
- 450Nm

WEWELER TYPE AIR SUSPENSION

13. Shock Bolt Assy

RD-BT020-175



Description & Key Features

- Weweler Type Shock Bolt Assy
- M20 x 175mm
- 450Nm

14. Bolt

RD-BT030-190



Description & Key Features

- Pivot Bolt M30 x 190mm
- Gr.8.8

15. Cleve Lock Nut

RD-NN002-30

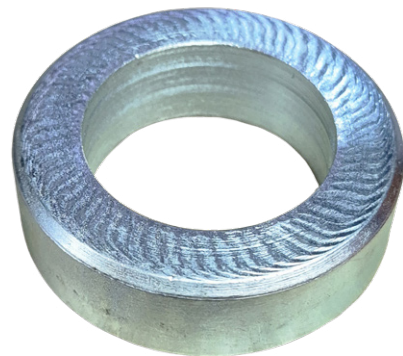


Description & Key Features

- Cleve lock Nut
- M30
- 900Nm

16. Pivot Bolt Spacer

RD-WAW001



Description & Key Features

- Weweler Type Pivot Bolt Spacer
- M30/46X14

WEWELER TYPE AIR SUSPENSION

17. Bolt

RD-BT012-60



Description & Key Features

- Bolt M12 x 60mm
- Gr.8,
- 66Nm

18. Bolt

RD-BT012-30



Description & Key Features

- Bolt M12 x 30mm
- Gr.8,8
- 66Nm

19. Hex Socket / Countersunk Head Screw

RD-BT012-60C

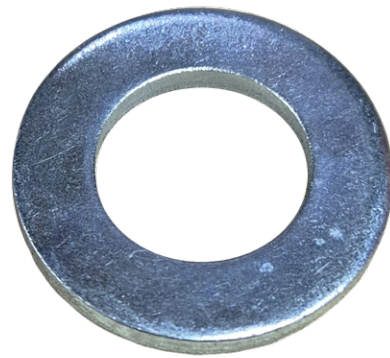


Description & Key Features

- Hex Socket / Countersunk Head Screw
- M12 x 60
- 66Nm

20. Washer

RD-WA012



Description & Key Features

- Washer
- M12

WEWELER TYPE AIR SUSPENSION

21. Air Spring Support

RD-BAW007-1



Description & Key Features

- Weweler Type Air Spring Support
- 90 Offset

22. Air Spring Support

RD-BAW007-2



Description & Key Features

- Weweler Type Air Spring Support Top

23. Cross Bracing Bolt On

RD-CBW001



Description & Key Features

- Weweler Type Cross Bracing Bolt On

24. Centre Bolt

RD-BTC001-W



Description & Key Features

- Weweler Type Centre Bolt Large Head

WEWELER TYPE AIR SUSPENSION

25. Trailing Arm Bush

RD-BUW001



Description & Key Features

- Weweler Type Trailing Arm Bush



ROAD DIAMOND™

WARRANTY POLICY



WARRANTY

We stand firmly behind our promise of 'Quality Priced Right' by offering a 1-year standard warranty on all our parts. Selected products qualify for an extended PLUS1 warranty (total of 2-years) subject to certain conditions.

LIABILITY INSURANCE

We are fully insured and hold comprehensive liability insurance. This coverage ensures additional protection and peace of mind for our customers and partners in the rare event of product-related incidents.

TERMS OF WARRANTY

The Terms of Warranty is available on the Claim Form which can be downloaded from <https://road-diamond.com/product/claim-form/>.

CLAIM PROCESS

To initiate a warranty claim, complete the Claim Form and return it to your local Road Diamond distributor. All claims are subject to inspection and approval.

OUR WARRANTY POLICY IS DESIGNED TO PROVIDE OUR CUSTOMERS WITH CONFIDENCE AND PEACE OF MIND TO CHOOSE ROAD DIAMOND AS THEIR PREFERRED PARTS FOR THE AFRICAN ROADS.